

ALSAFLOOR

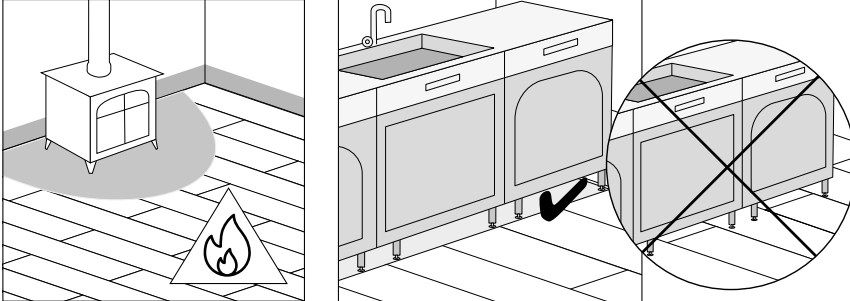
LAYING INSTRUCTIONS



HERRINGBONE

INSTALLATION RECOMMENDATIONS FOR

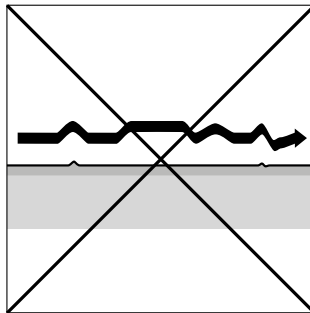
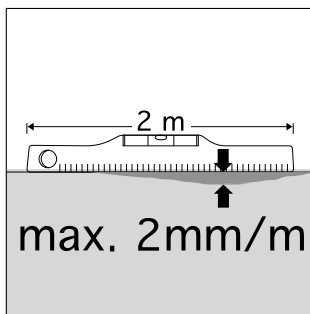
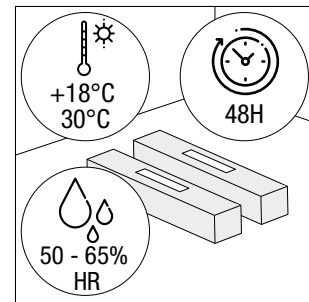
Herringbone



The flooring should not be laid under kitchen units.

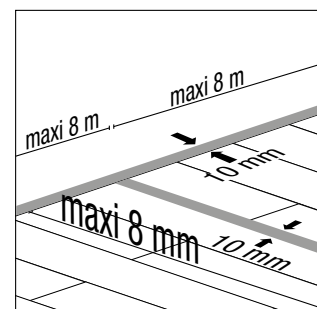
A glass plate should be placed in front of your wood stove or fireplace.

The flooring kit should be placed in the room at least 48 hours before installation.



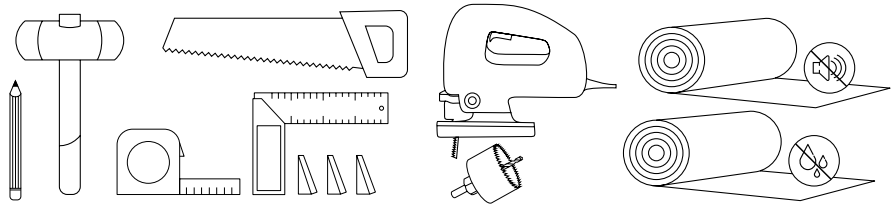
Herringbone installation requires a perfectly flat surface.

A 10 mm expansion joint should be left around the room perimeter, along with an intermediate expansion joint if room dimensions exceed 8m x 8m.



Instructions

TOOLS NEEDED :



1/ BEFORE YOU START

Go to:

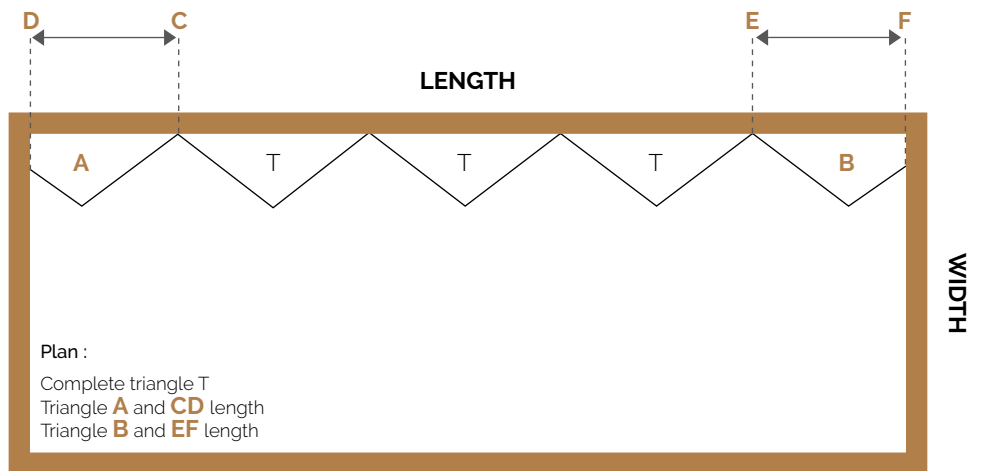
ALSAFLOOR.ALSAPAN.COM/SIMULATEUR-ALSAFLOOR

and click on the Herringbone calculator.

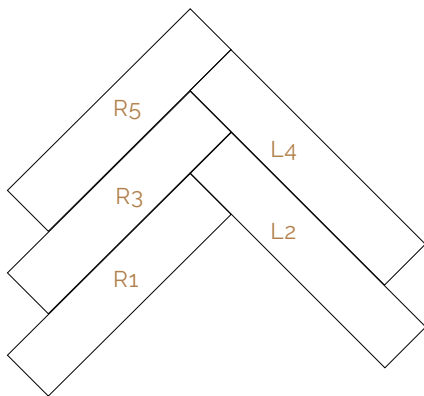
Select the herringbone installation and pattern and then enter the dimensions of your room.

The calculator will then tell you :

- how many Left and Right kits you will need to buy
- how many triangles you'll need to begin installation
- the dimensions for the A and B triangle cut-offs

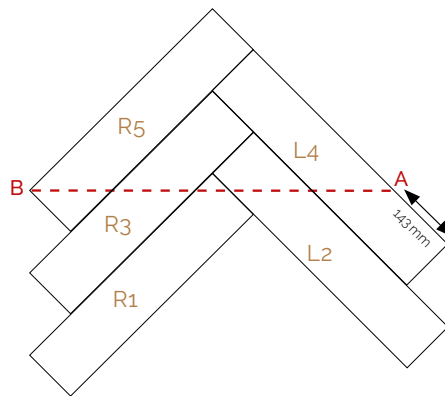


2/ CUTTING OUT AND INSTALLING COMPLETE TRIANGLES T



Making the triangles

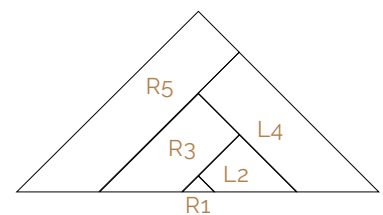
Make the number of completed triangles and the two triangles A and B as given by the calculator.
Take three Right planks (R) and two Left planks (L).



Measure the AB cut-off line

We advise you to :

- mark the back of each plank, to facilitate any subsequent installation
- do the cutting plank-by-plank.



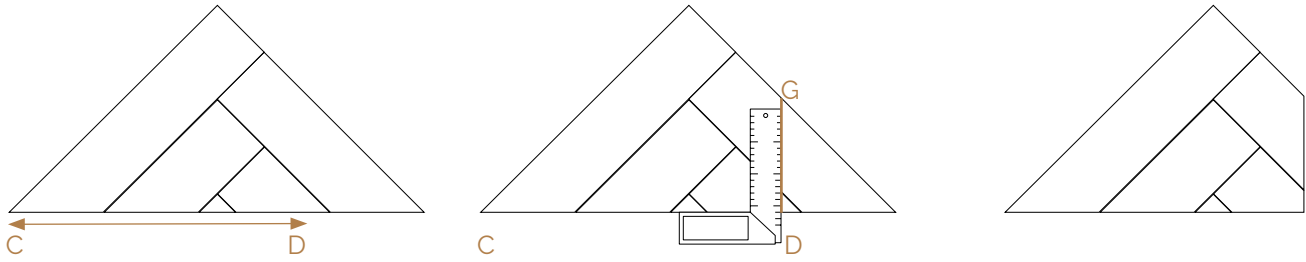
Final result!

To make things even easier,
you can also order ready-cut triangles from your retailer!

3/ CUTTING OUT AND INSTALLING THE A AND B CORNER TRIANGLES

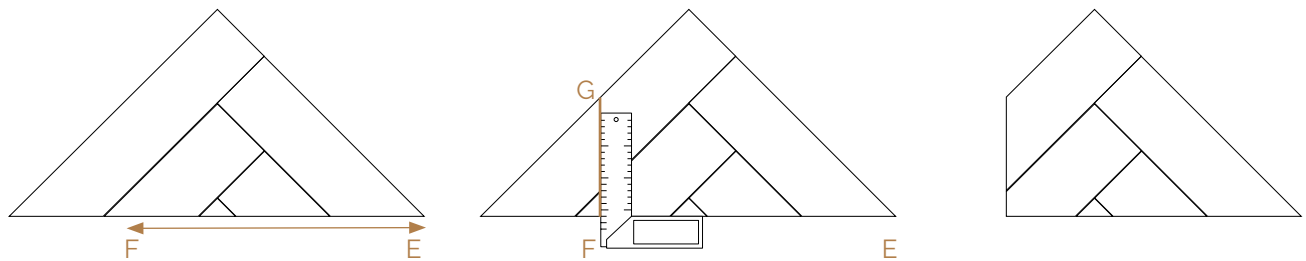
Triangle A: measuring the CD cut-off line

The calculator will give you the length CD to be used for cutting the triangle. Use the bevel gauge to draw the DG cut-off line



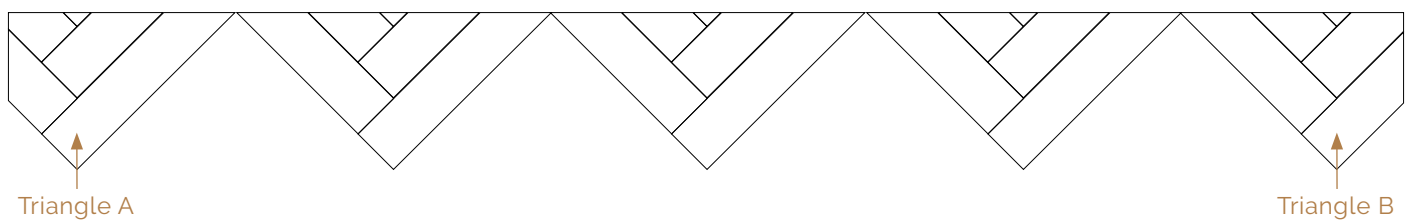
Triangle B: measuring the EF cut-off line

The calculator will give you the length EF to be used for cutting the triangle. Use the bevel gauge to draw the FG cut-off line and cut the planks.



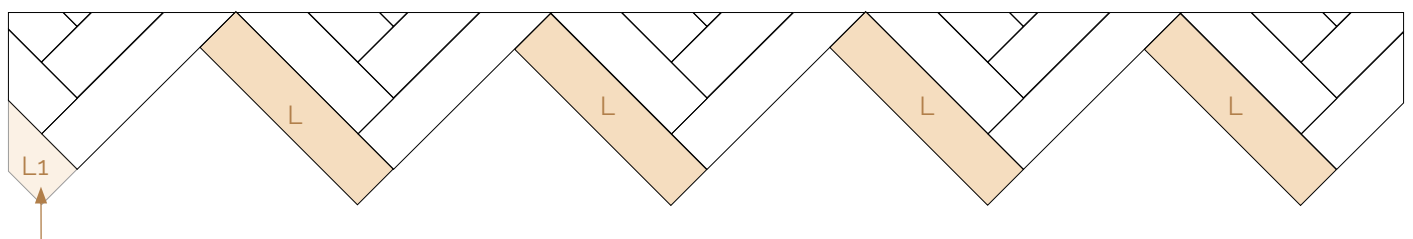
4/ PLACING THE TRIANGLES

Start with triangle A, not forgetting to put spacers all along the wall.



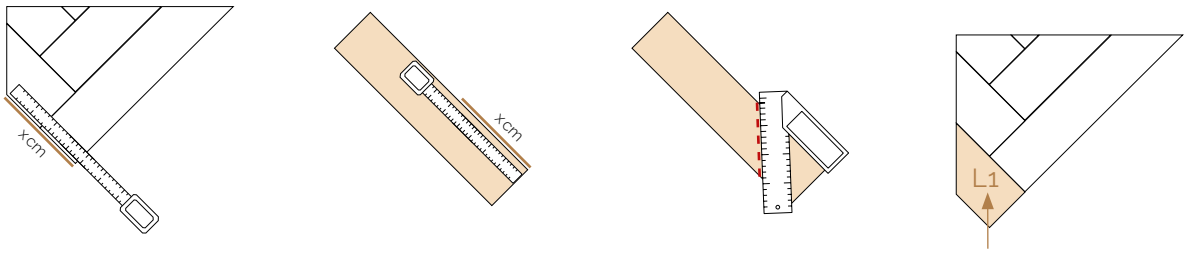
5/ CONTINUING THE INSTALLATION: ROW LAYING ORDER

Laying the Left planks

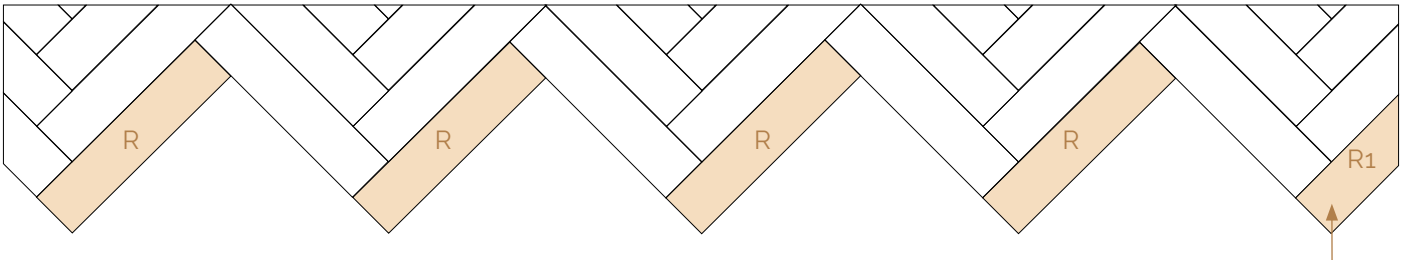


Measuring the L1 plank cut-off

Measuring the L1 plank cut-off



Laying the Right planks



Measuring the R1 plank cut-off – repeat the same procedure as for the L1 plank

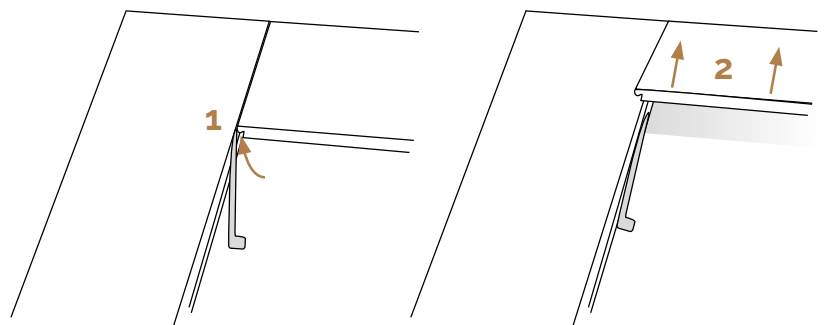
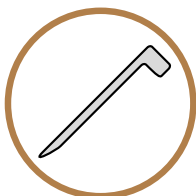
6/ COMPLETING THE INSTALLTION



Continue laying the planks until installation is complete.

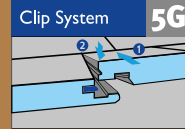
REMOVING PLANKS

Use the 5G® plank removal tool



Thickness	12 mm
Profile and assembly	5G®
Panel	HDF - WP
Class of use	23/33
Bevels	4 Bevels
Abrasion resistance	AC6
Logistics	Dimensions : 640 x 143 mm
	1 kit = 13 boards = 1.19 sqm
	sqm/pallet = 71.4 sqm
	1 pallet = 60 kits
	Weight per kit = 12.20 kg
Pallet weight	732 kg
Warranty	35 years
Reaction to fire	CFL S1
Formaldehyde content	E1

TECHNICAL CHARACTERISTICS



* Information as to emissions of volatile compounds in the indoor air, which might be harmful to the health when inhaled, on a scale from Class A+ (very low emissions) to C (high emissions)



ALSAFLOOR

BRAND **ALSAPAN**
Furniture, Flooring, Worktops

Z.I. - 1 rue de l'Europe
67521 Marlenheim Cedex - France
tel. +33 (0)3 88 59 29 89
fax. +33 (0)3 88 59 28 49
www.alsapan.com